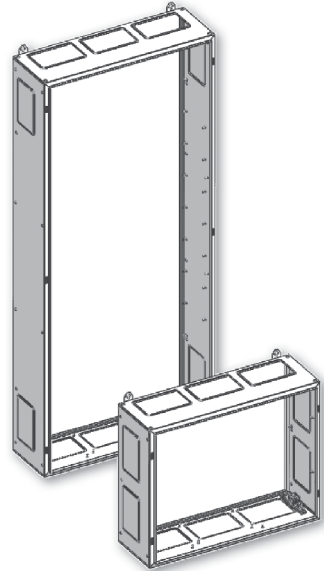
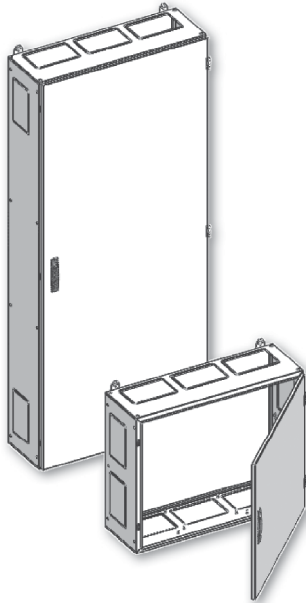


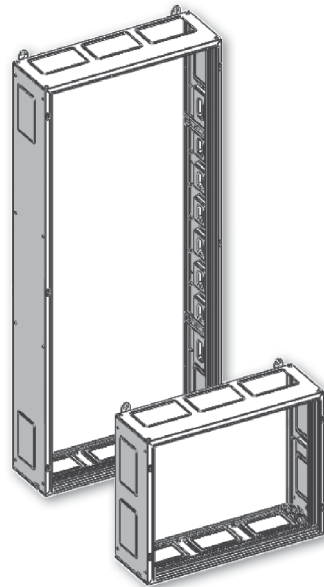
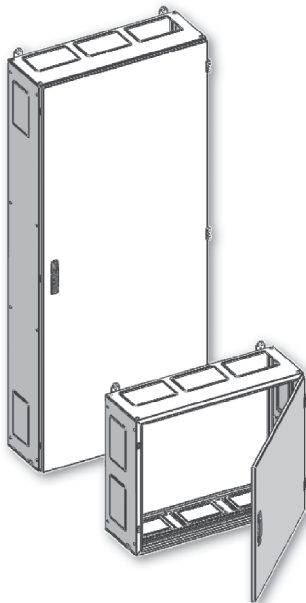
TG... / TL... / TW...G

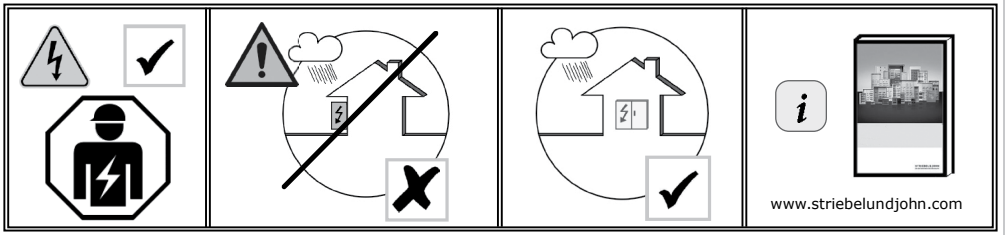
TG... / TL... / TW...GB

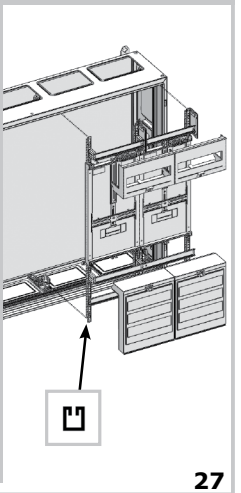
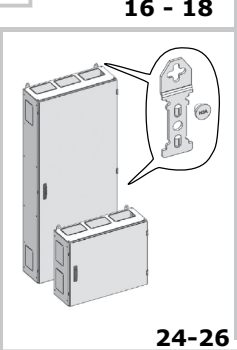
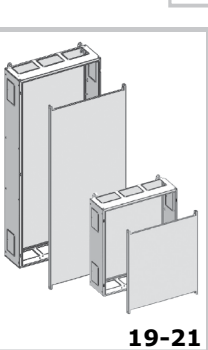
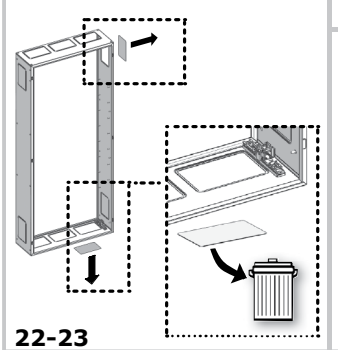
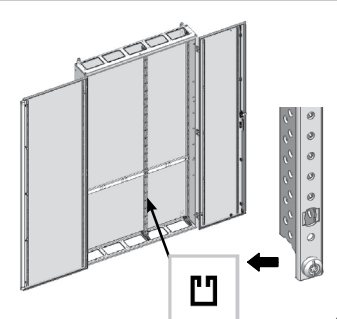
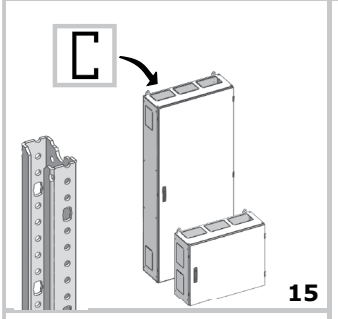
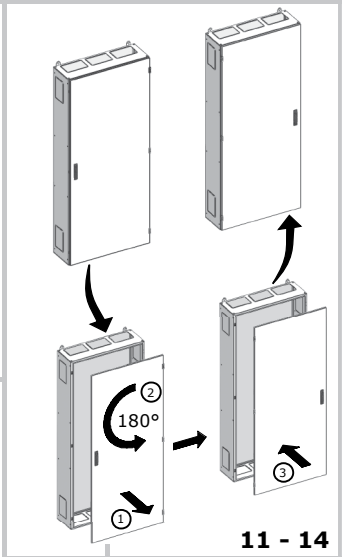
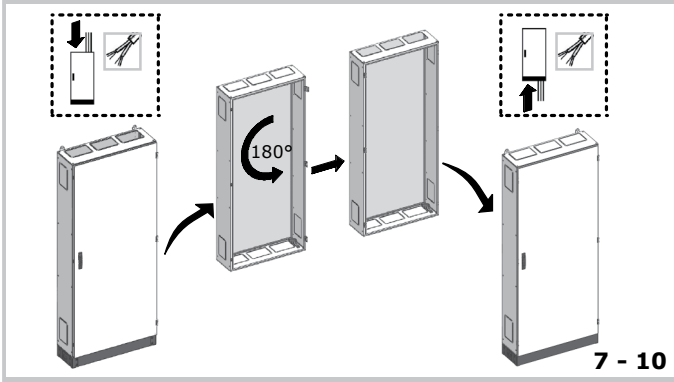
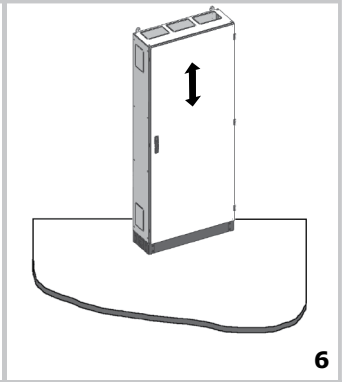
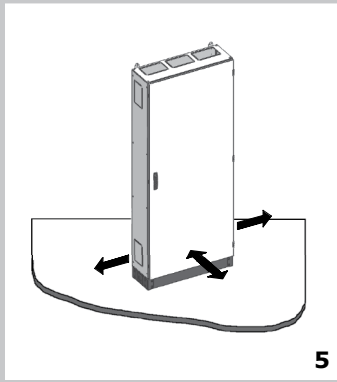
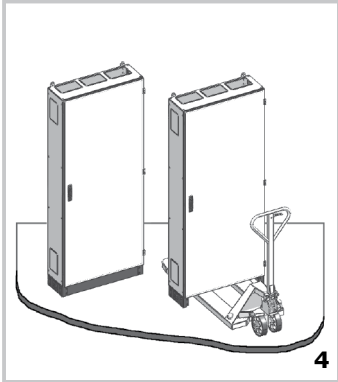


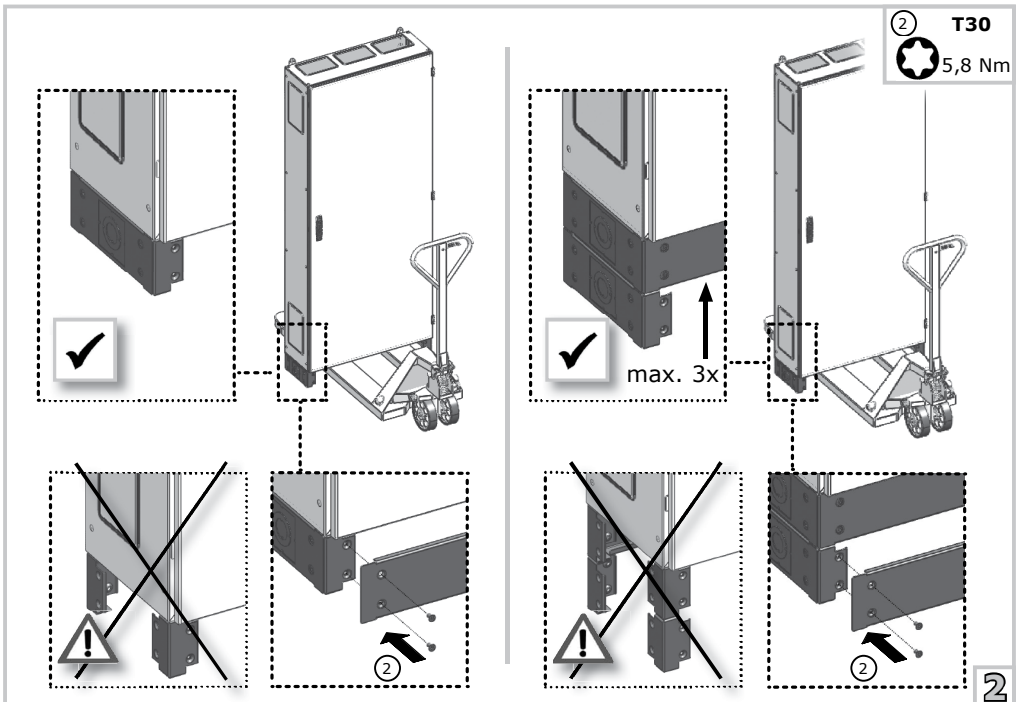
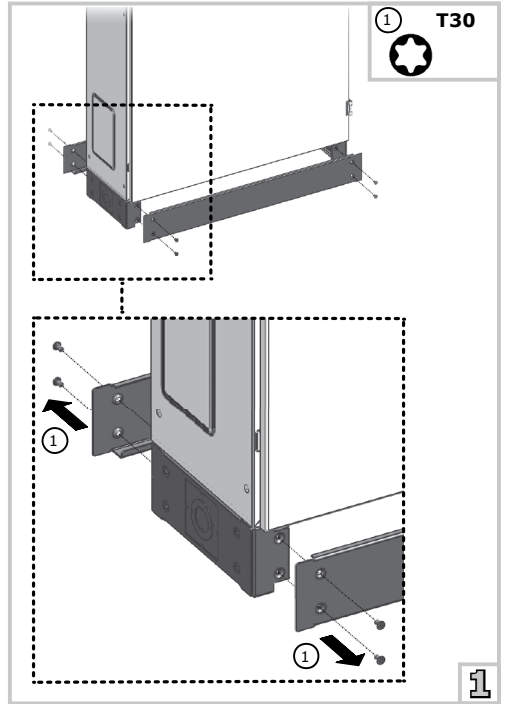
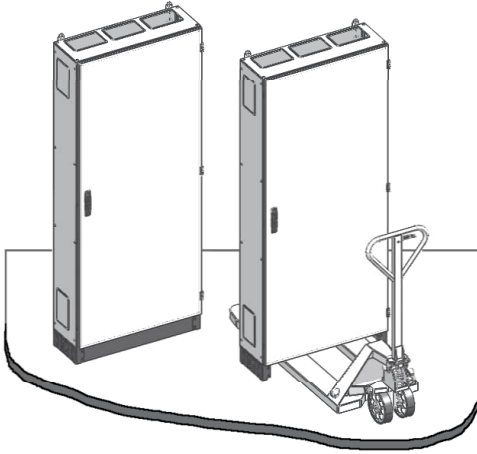
TG... / TL... / TW...S

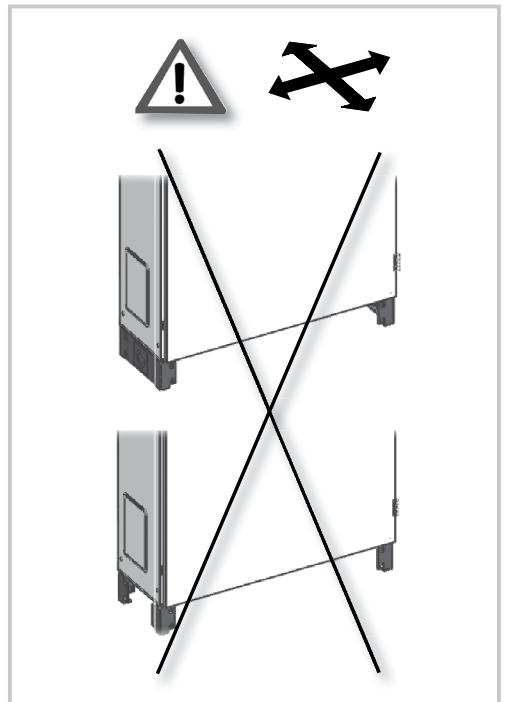
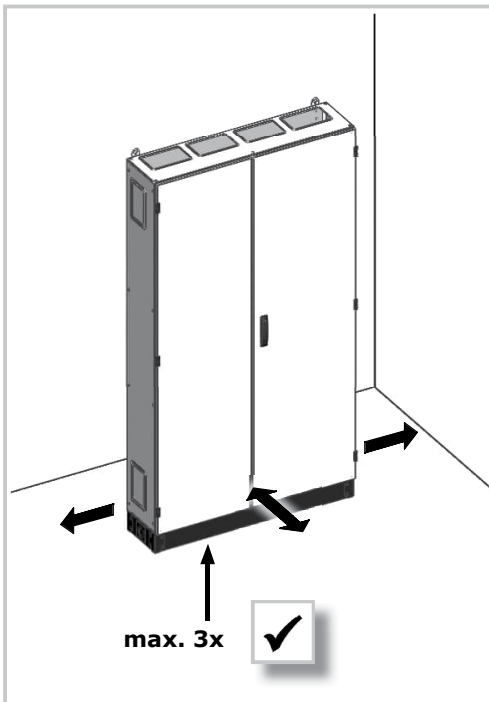
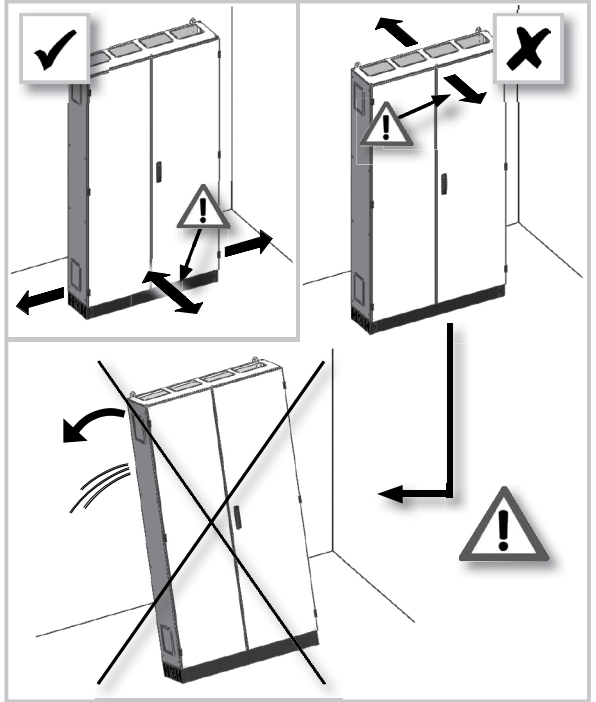
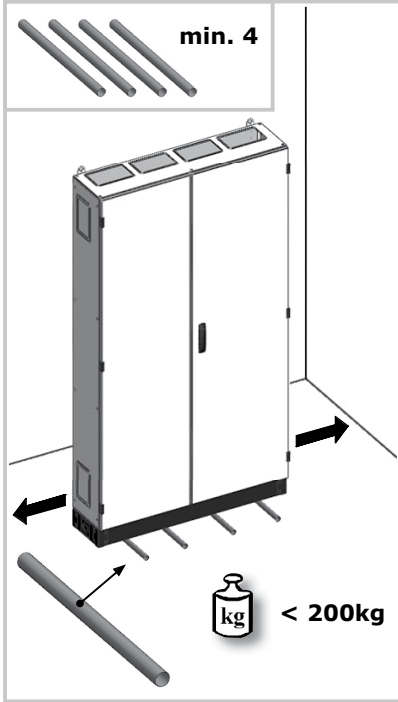
TG... / TL... / TW...GB

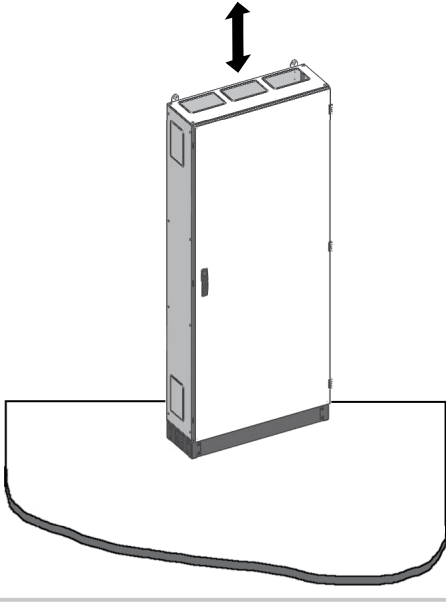




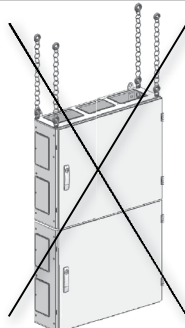
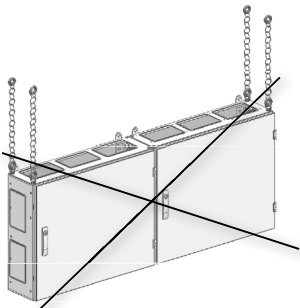
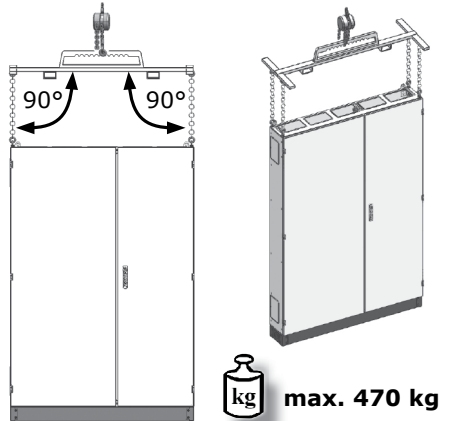
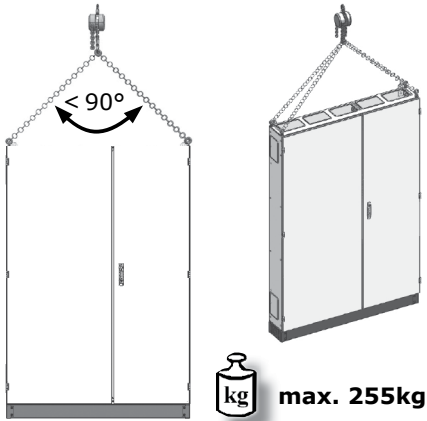
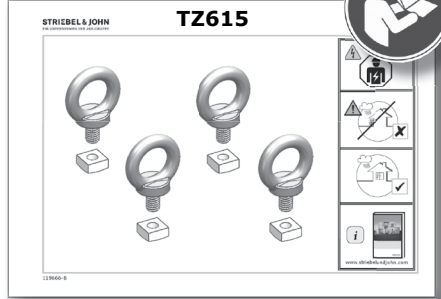
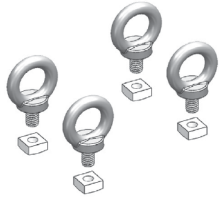


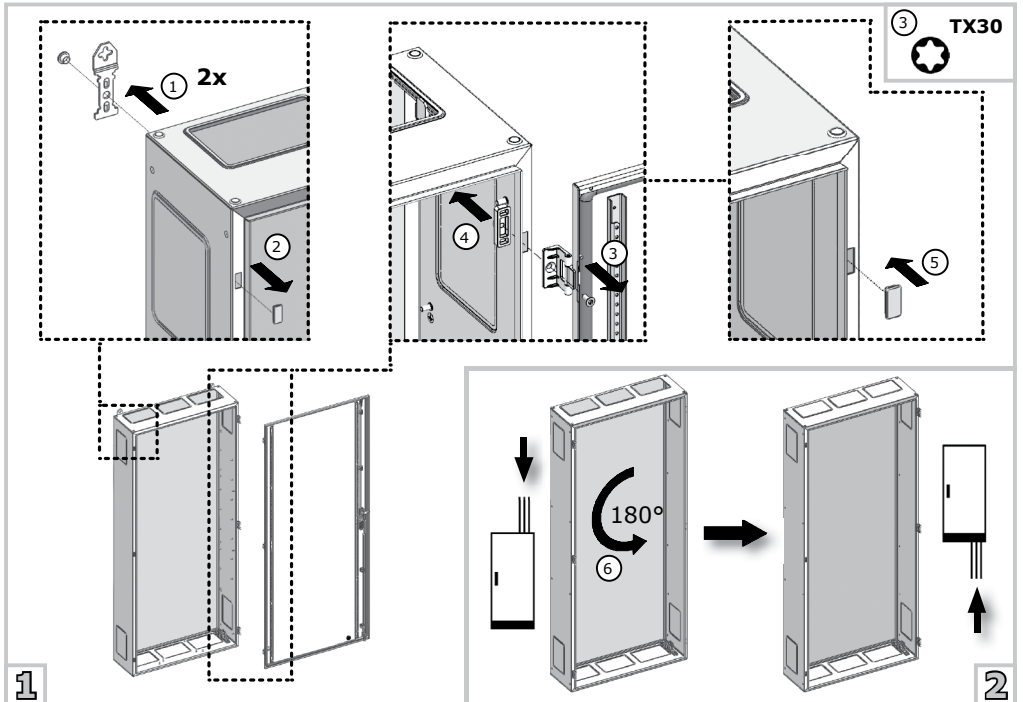
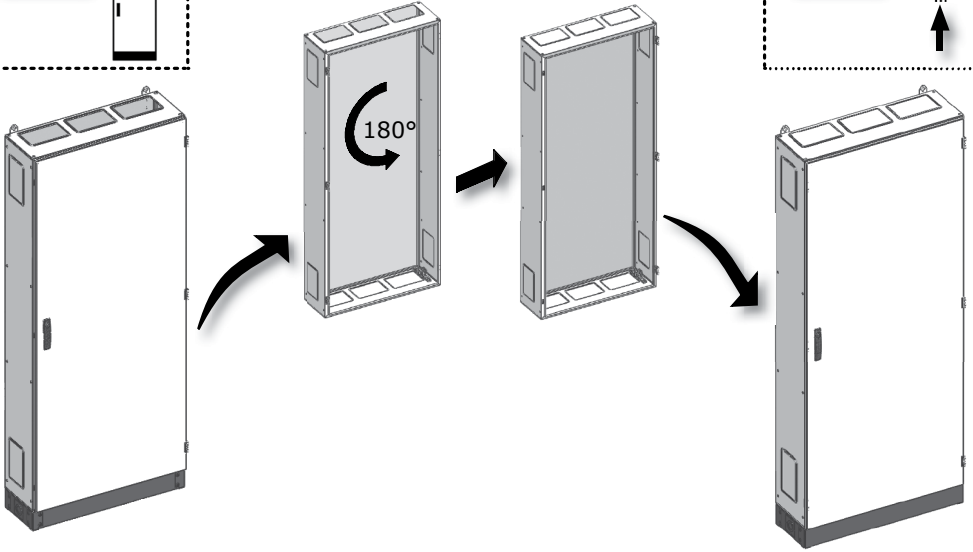
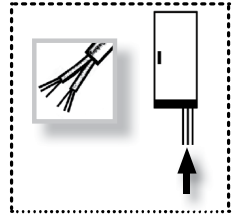
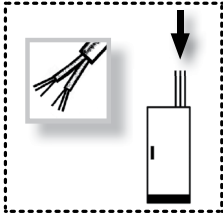






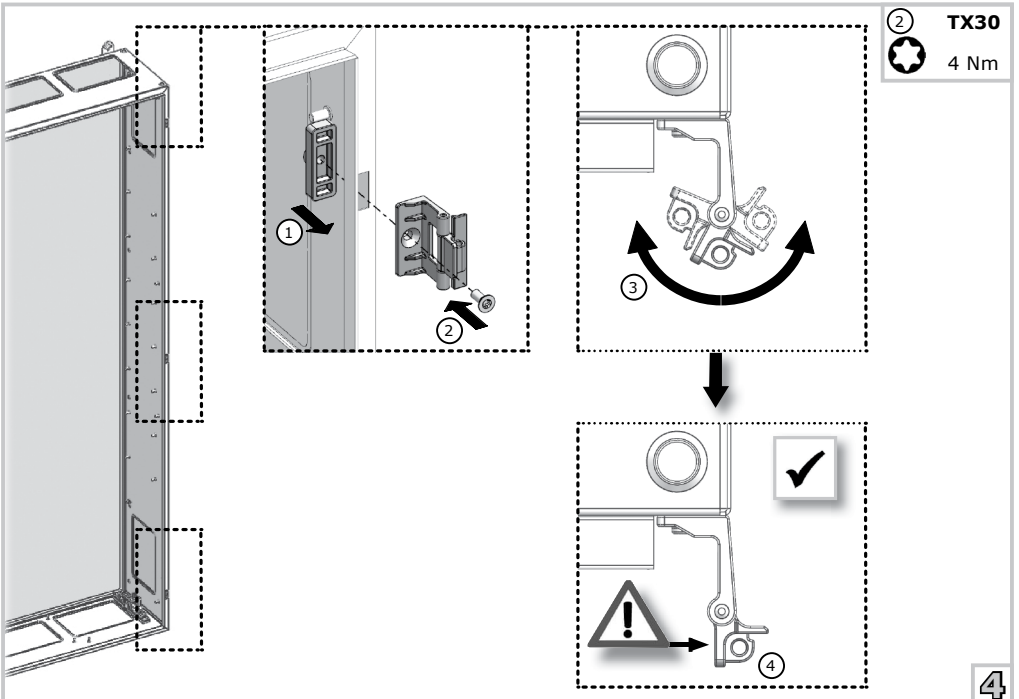
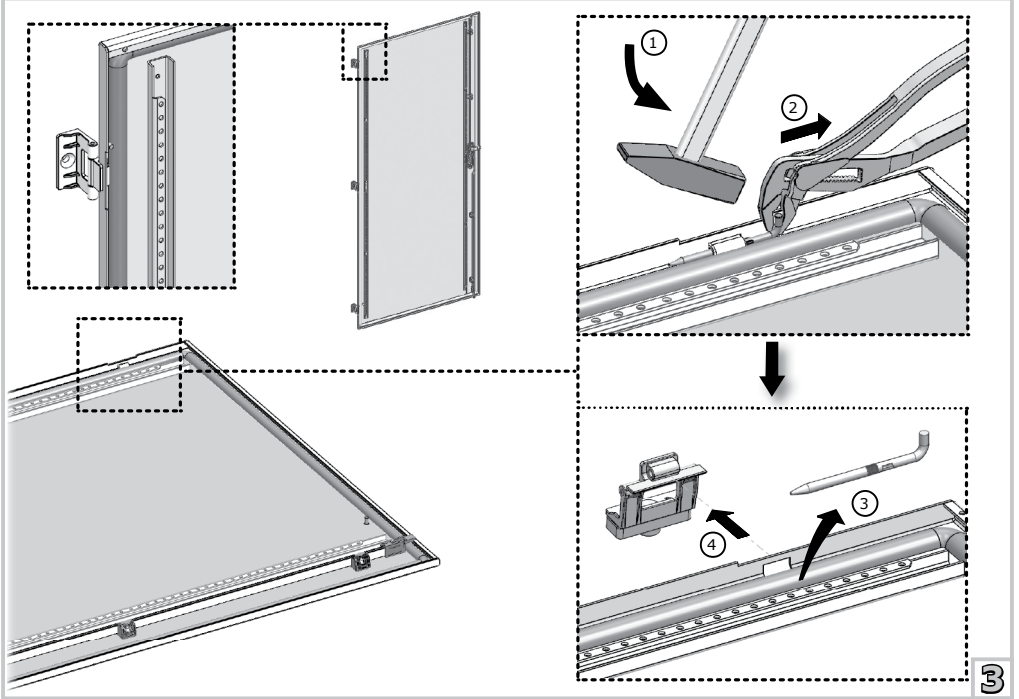
TZ615

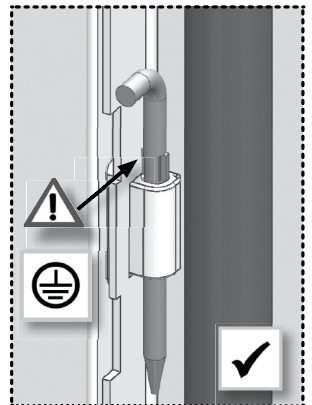
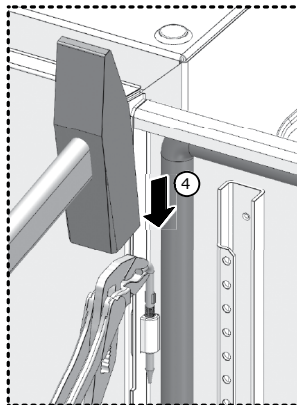
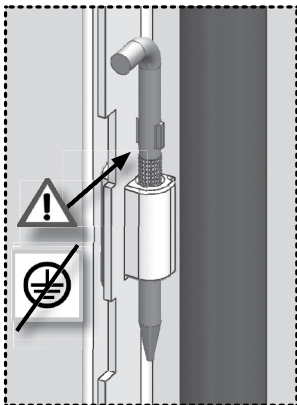
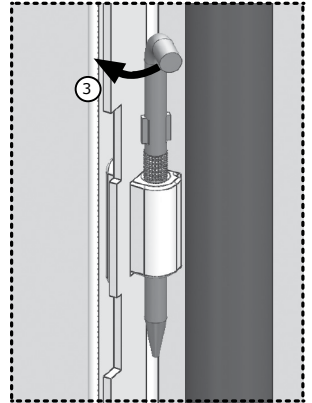
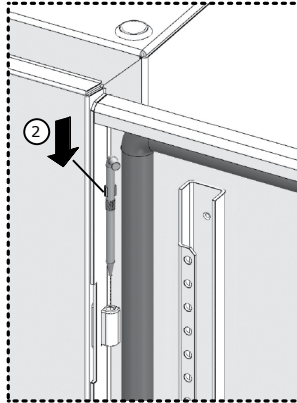
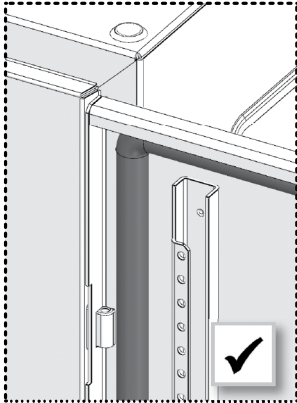
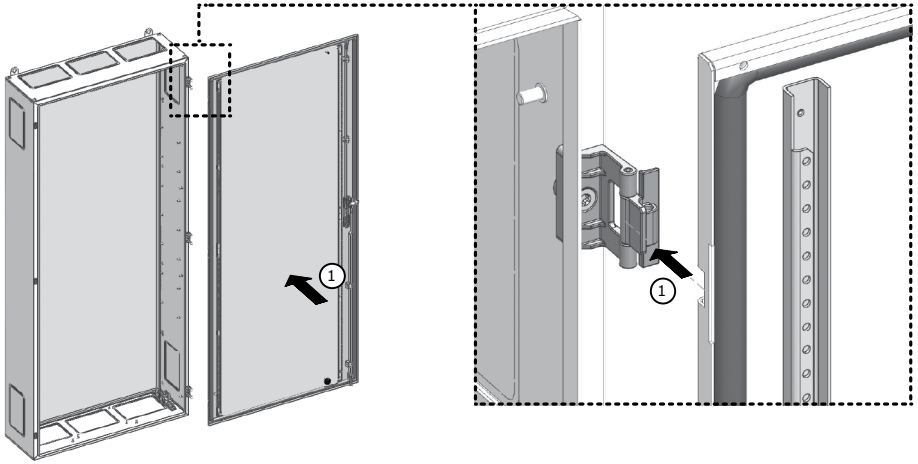


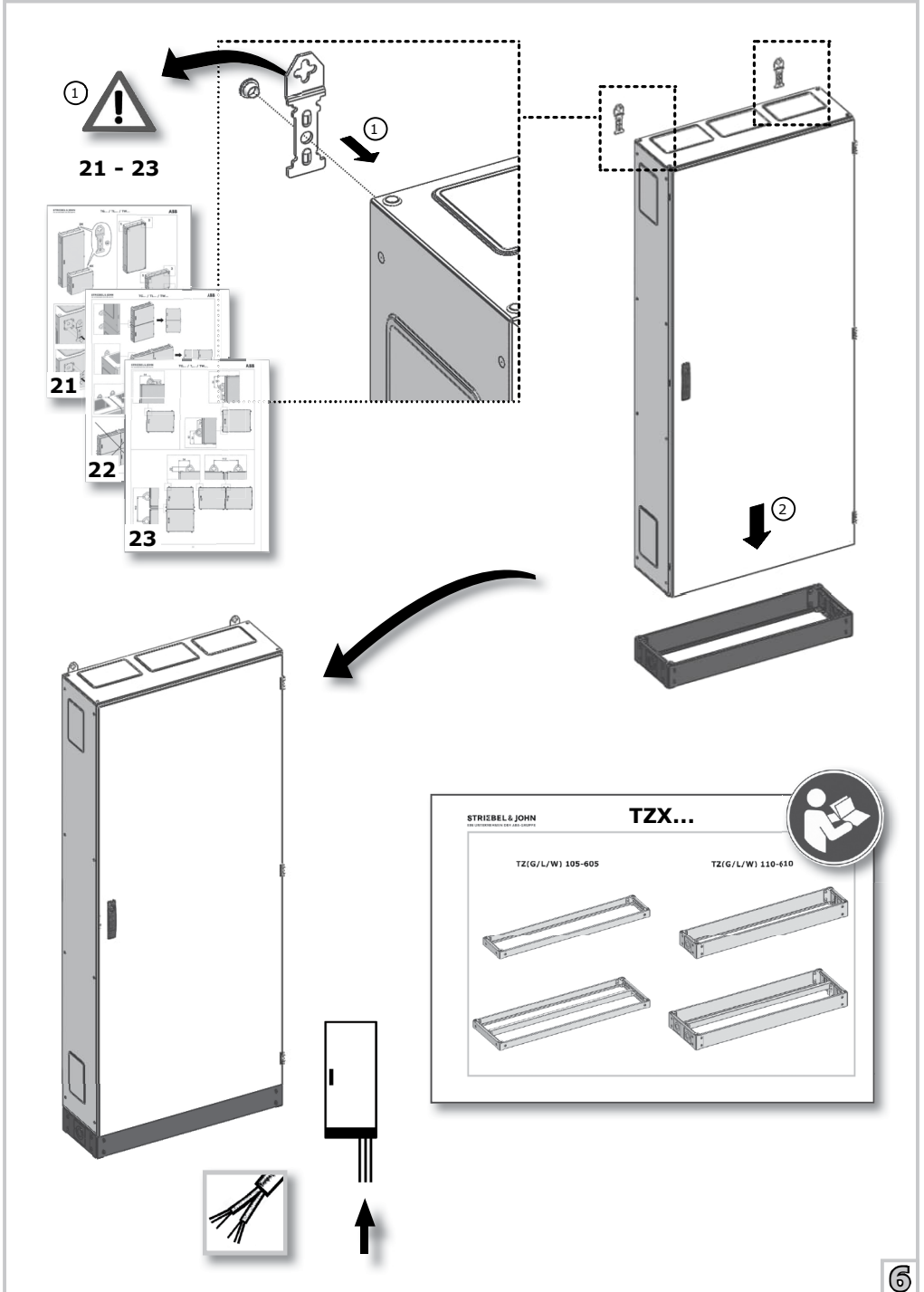


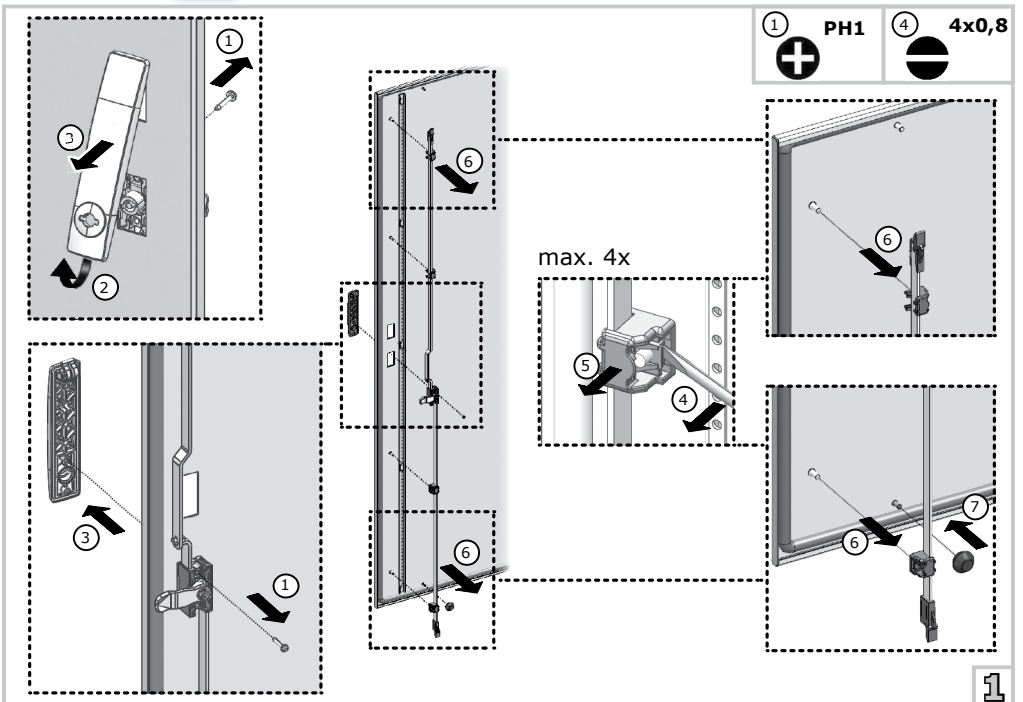
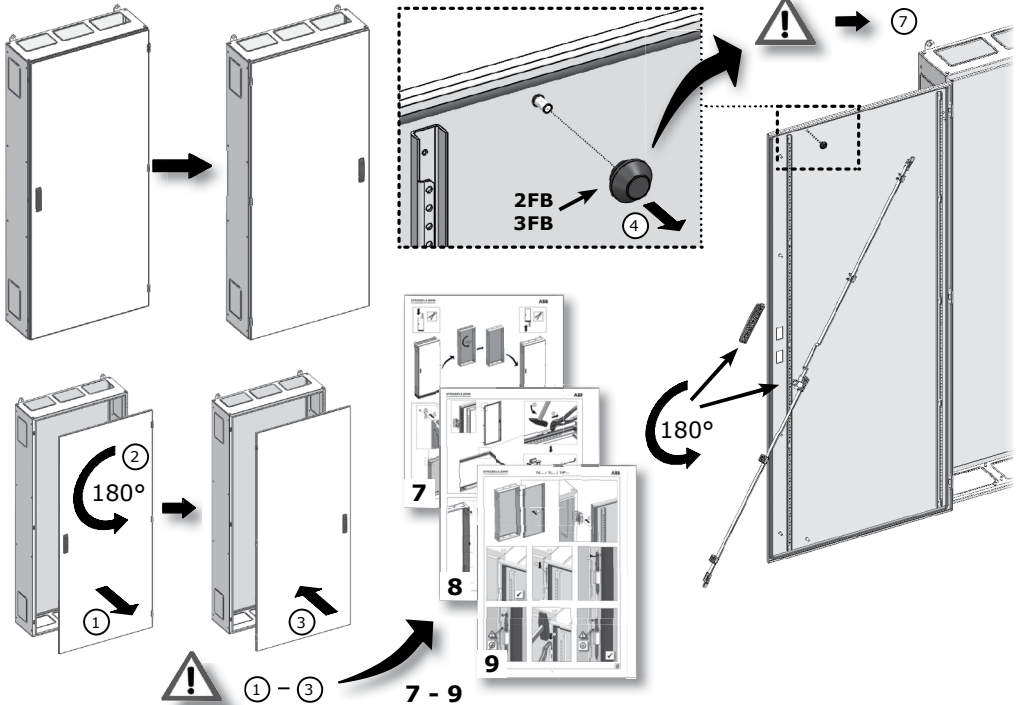
1

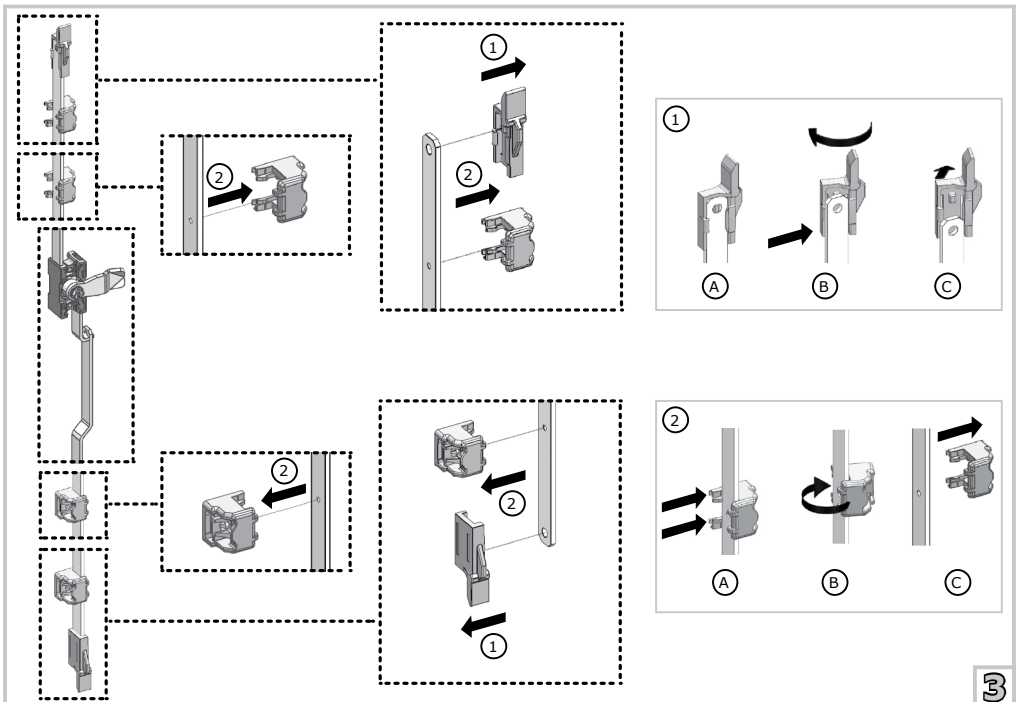
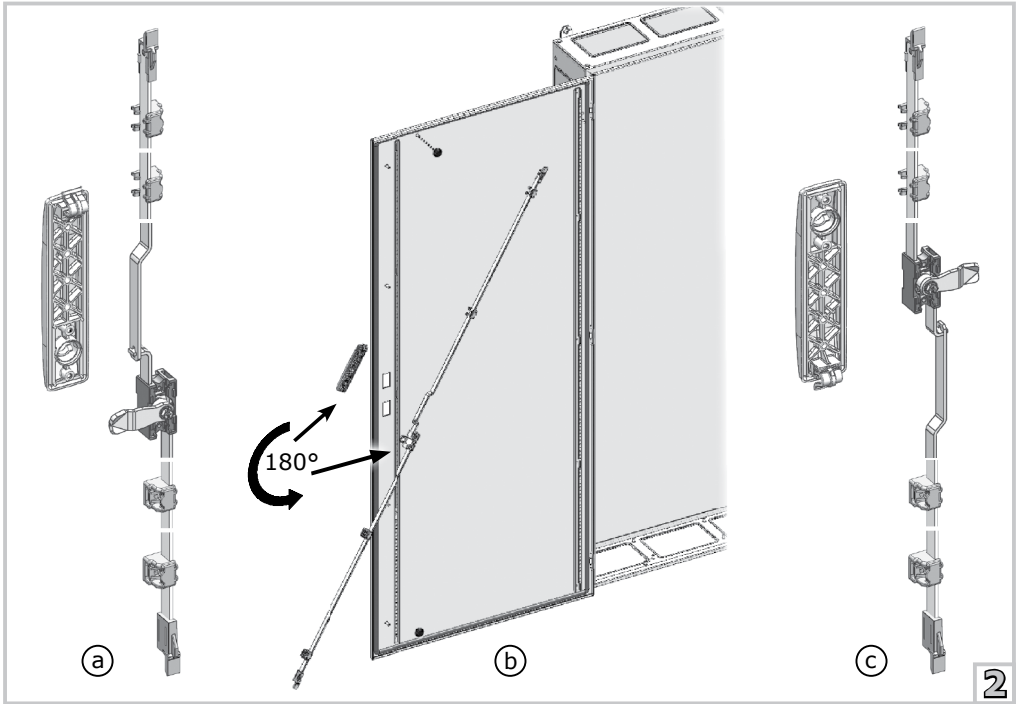
2



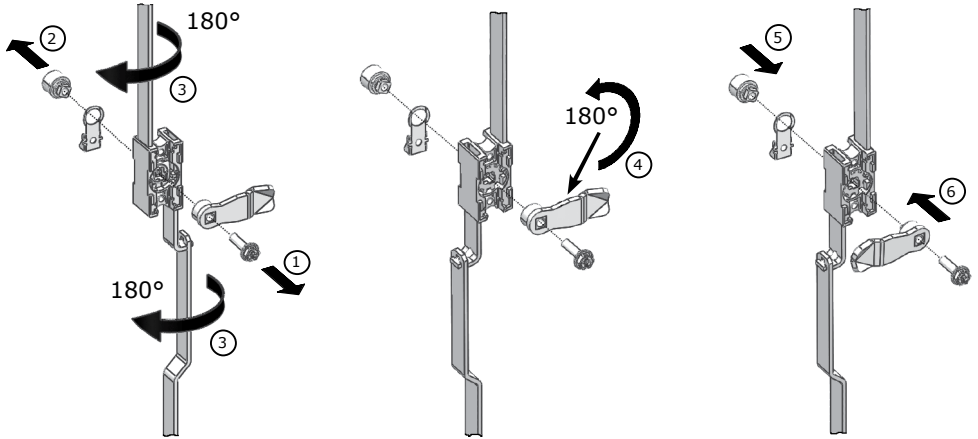




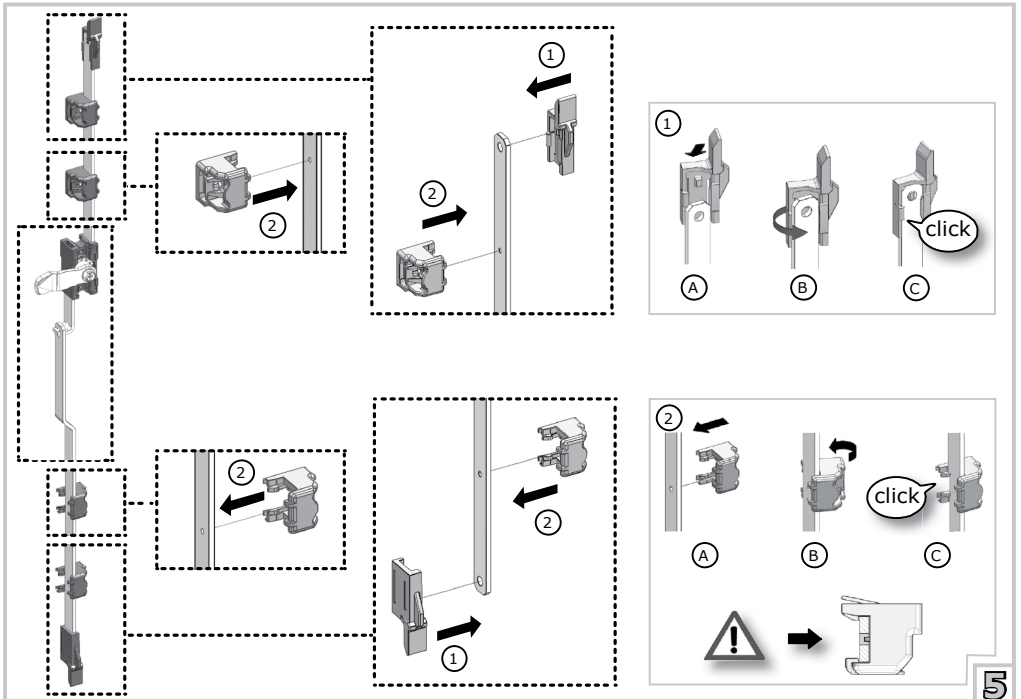




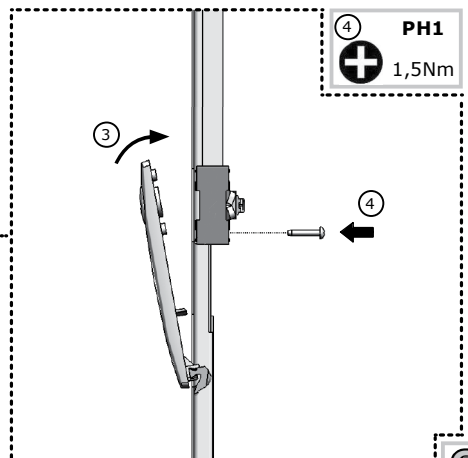
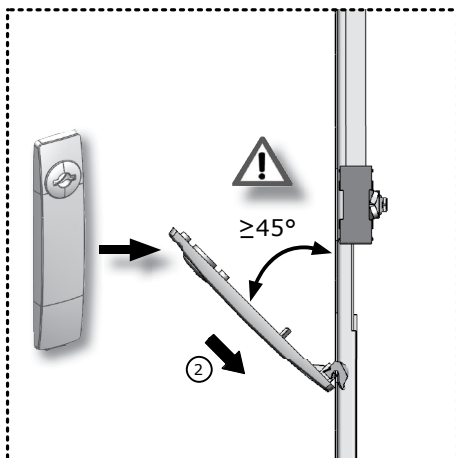
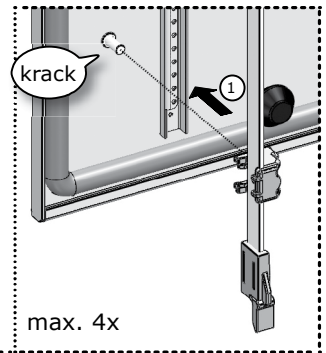
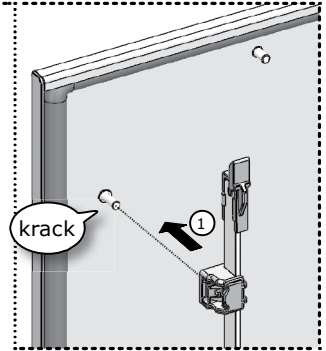
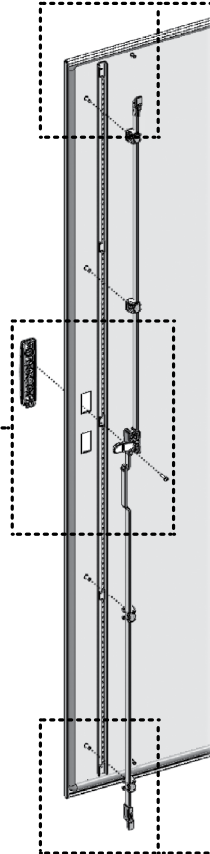
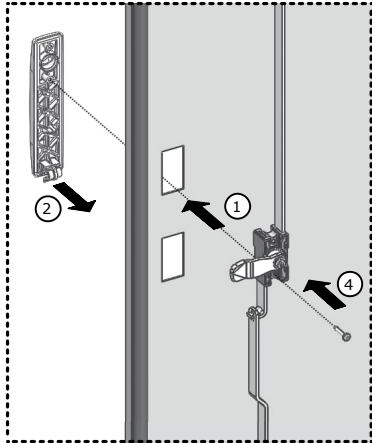
① ⑥ PH2
⊕ 5 Nm

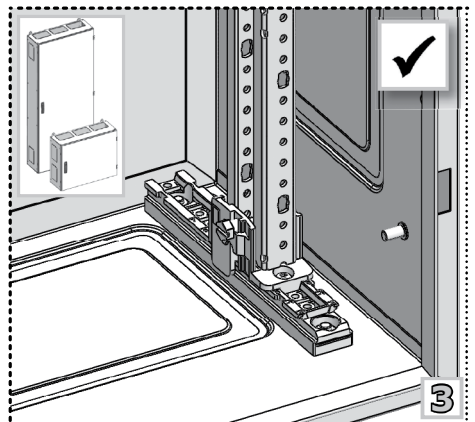
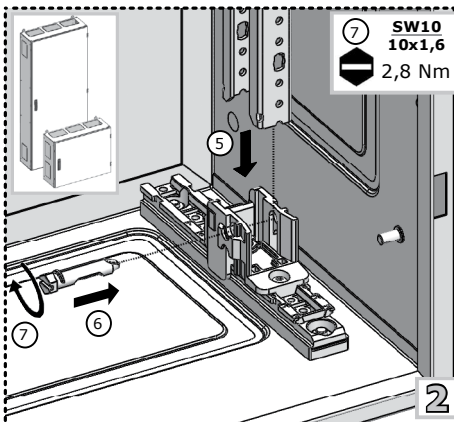
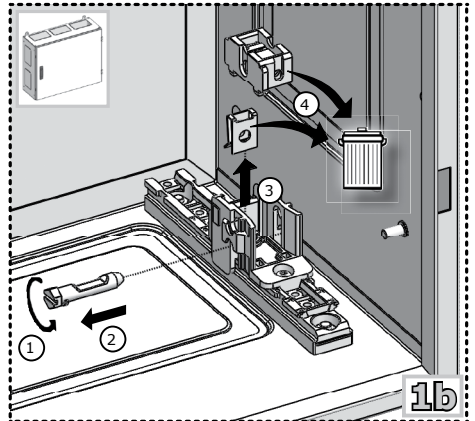
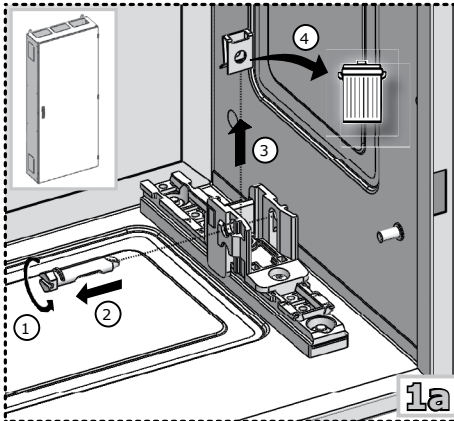
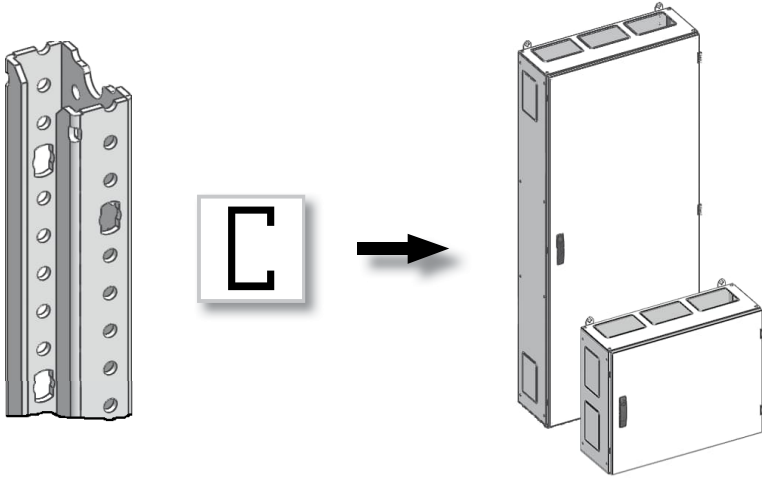


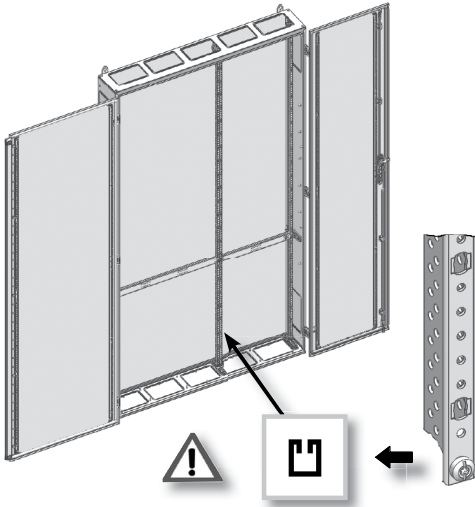
4



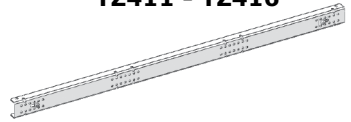
5







TZ411 - TZ416

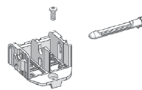


TZ601 - TZ603

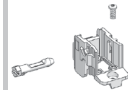
TZ601 (TG..)
TZ602 (TL..)
TZ603 (TW..)



TZ604



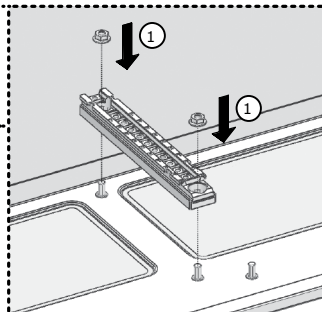
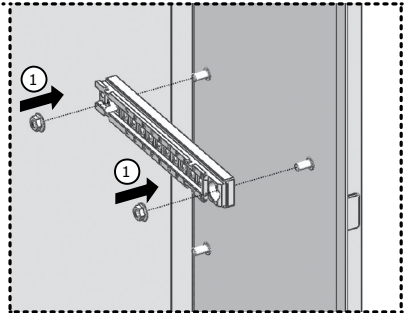
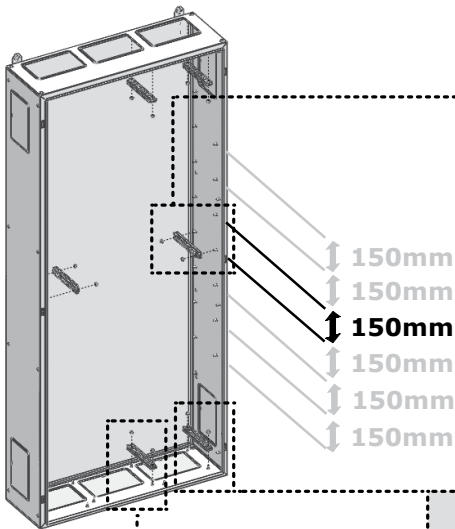
TZ605

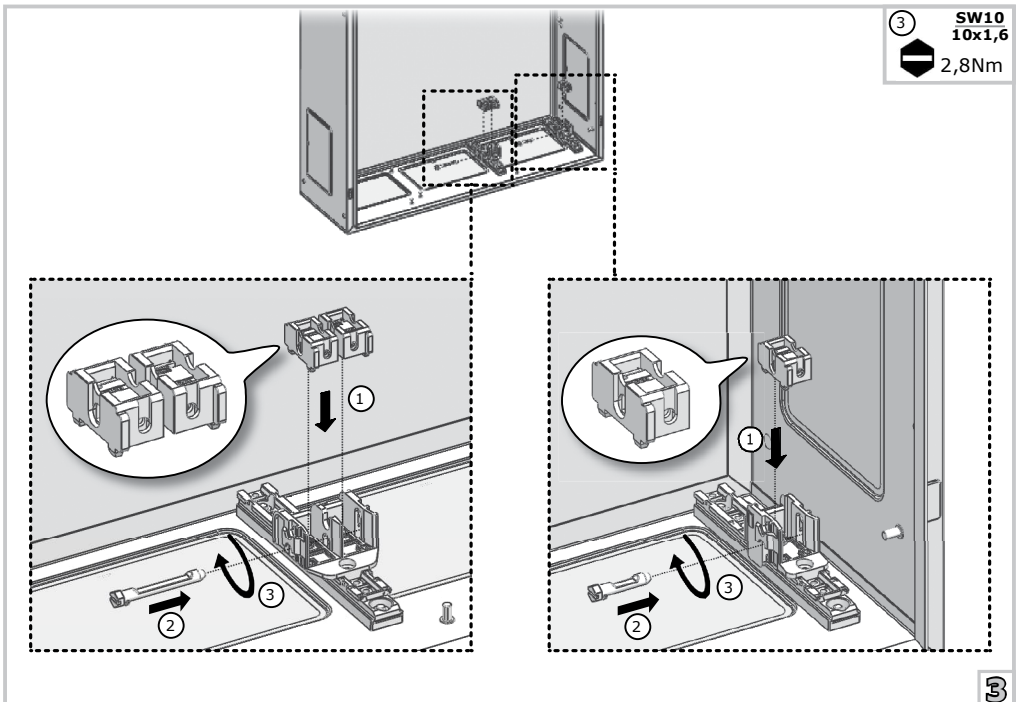
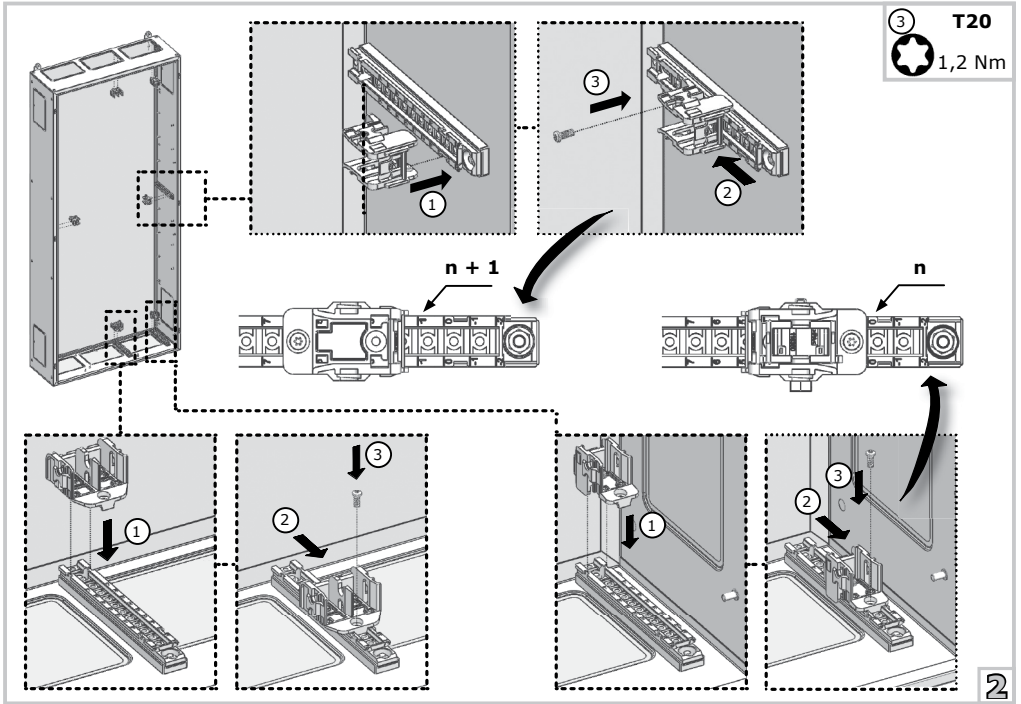


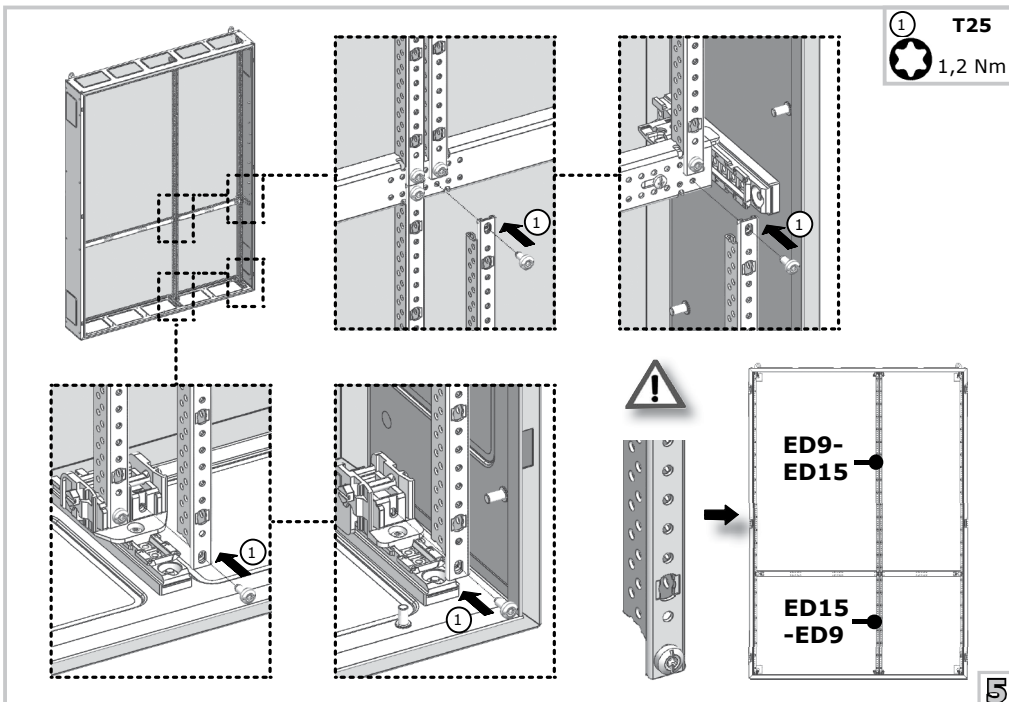
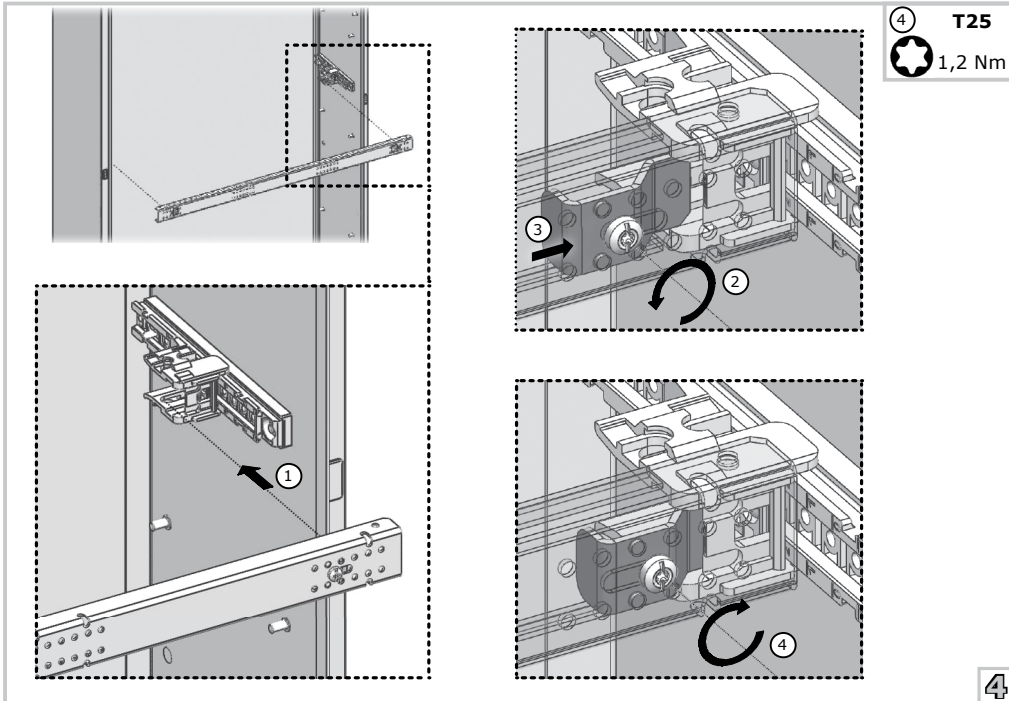
TZ606

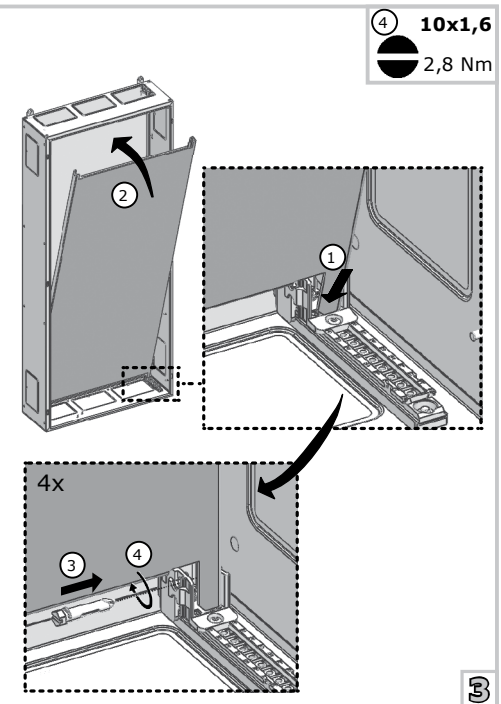
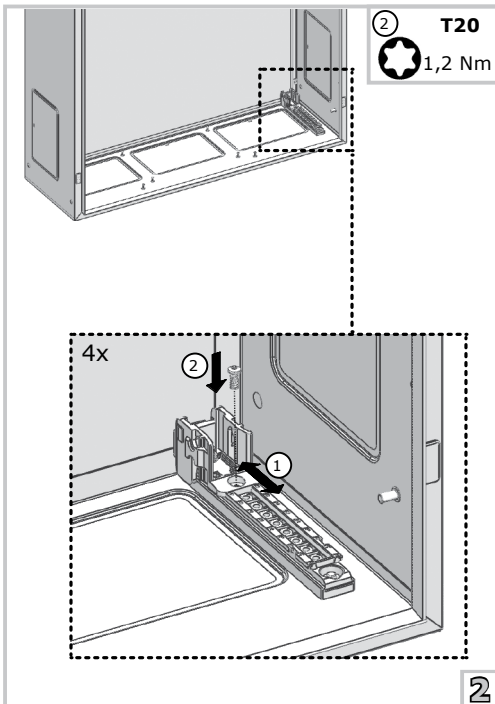
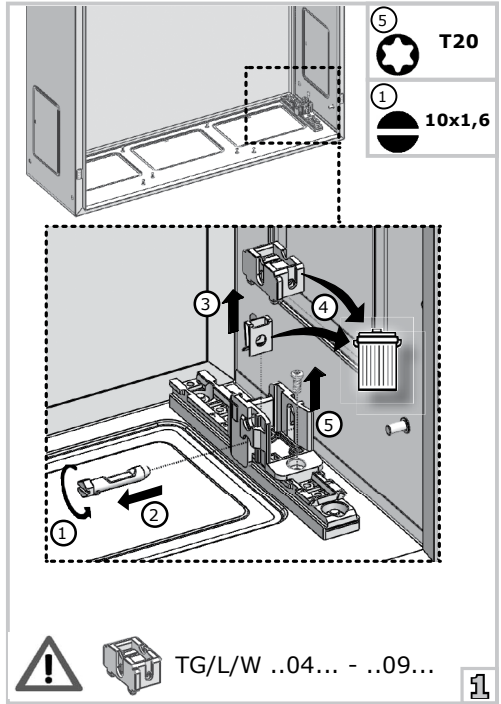
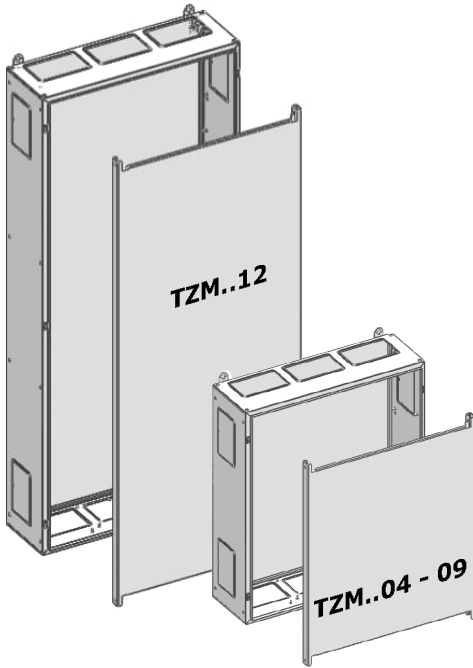


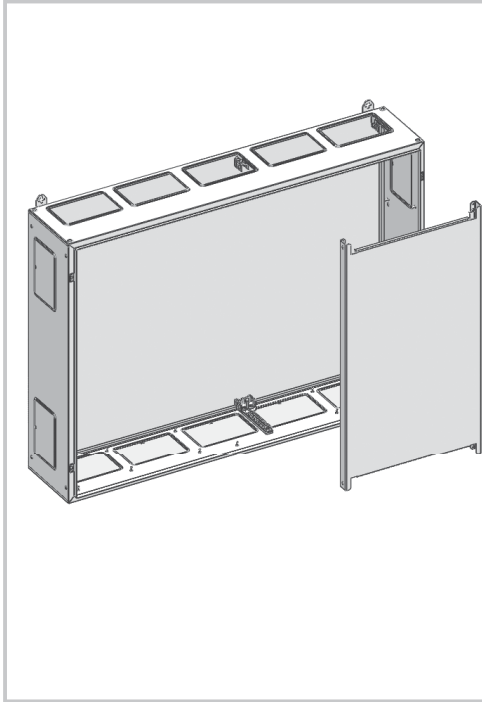
① **SW10**
2,5 Nm



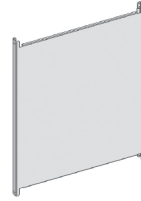








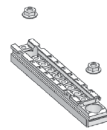
TZM..04 - 09



TZ601
(TG..)

2x

TZ602
(TL..)

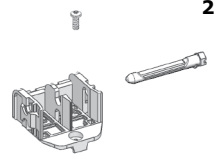


TZ603
(TW..)

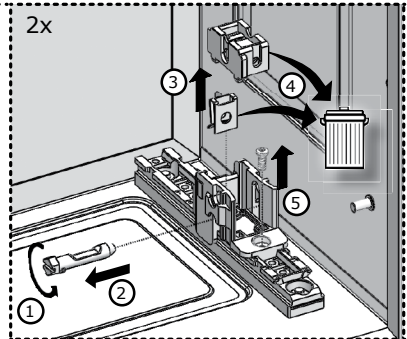
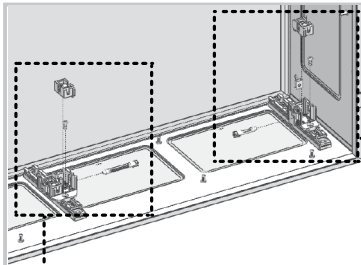


TG/L/W4...6..

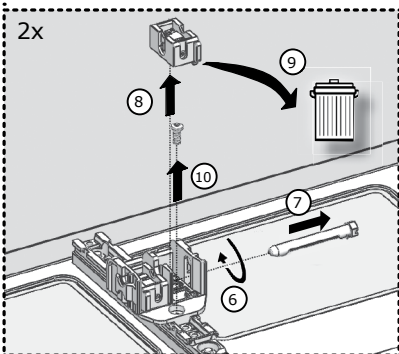
TZ604



2x



2x



2x



TG/L/W ..04 - ..09

